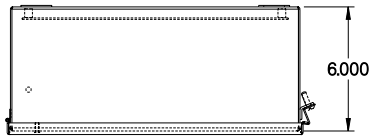




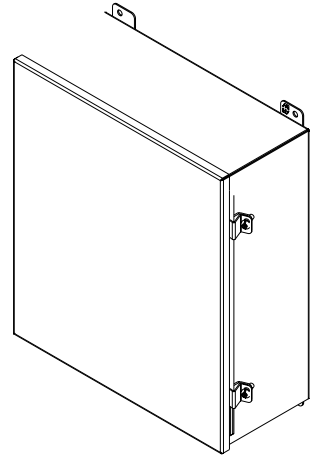
**PART No. 1414N4PHSSO6LP**

for more information visit  
[www.hamfmg.com](http://www.hamfmg.com)

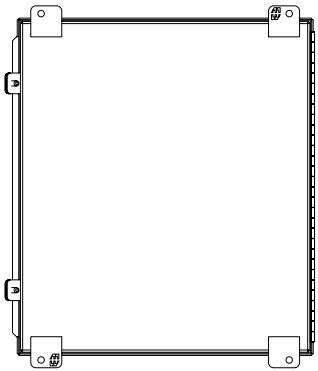
Data subject to change without notice



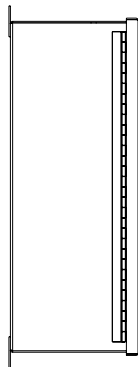
TOP VIEW



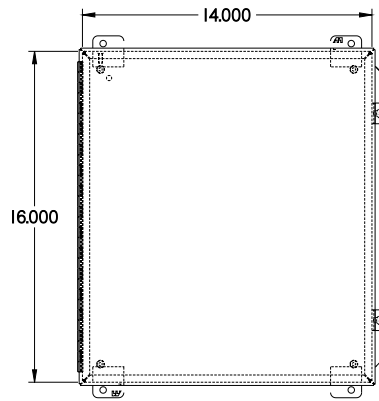
ISOMETRIC VIEW



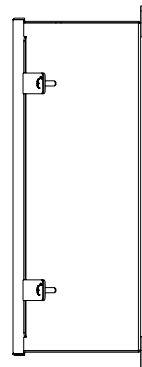
BACK VIEW



LEFT SIDE VIEW



FRONT VIEW



RIGHT SIDE VIEW



BOTTOM VIEW